



**General Characteristics 5500 Series Washdown Fan Forced Unit Heater**

Heavy-duty 304 16 gauge stainless steel shroud.  
316 stainless construction available.  
Nema 4x non-metallic control panel.  
24-Volt control.  
3-position switch (off-heat-fan).  
Capillary thermostat with stainless steel sensor.  
Automatic reset thermal cutout.  
Totally enclosed U.L. listed motor.  
Pilot light (power on indicator).  
Stainless steel finned tubular element. Constructed of 304 or 316 stainless rod and fins.  
Control panel on bottom of unit for ease of installation and service  
Disconnect switch with enclosure door interlock.  
Front grill rotates to direct airflow.  
Single-point power connection.  
Fan Blade Aluminum.  
Epoxy painted cold roll steel model available, consult factory.  
Meets all U.L., NEC, and OSHA requirements (when installed as directed).  
Corrosion-resistant in high humidity and water-saturated areas (for areas where corrosion resistance is needed in non-explosive areas, contact factory for heater applications and optional materials).  
Includes Thermostat temp range: 40°-110°F.  
Made in U.S.A.

**Product Applications 5500 Series Washdown Fan Forced Unit Heater**

Recommended for all industrial and commercial.  
Used in dirty or dusty industrial areas in non-hazardous locations.  
Also used in areas that may be high in humidity or water saturated.  
For indoor and outdoor use.

**Warranties 5500 Series Washdown Fan Forced Unit Heater**

Manufacturer's Limited Warranty: 1 Year.



The Washdown Series unit heaters are electric unit heaters constructed for use in areas that require washing or hosing of equipment due to dirty or dusty industrial environments in non-hazardous locations. The totally enclosed water-tight construction made with corrosion-resistant material make this series ideal for industrial heating applications. The Washdown Series is constructed with all built-in controls and safety temperature controls wired in a non-metallic Nema 4x control panel with single-point power connections.



**5500 Series Washdown Fan  
 Forced Unit Heater with  
 thermostat**

**Data Sheet**

**Specific Characteristics 5500 Series Washdown Fan Forced Unit Heater**

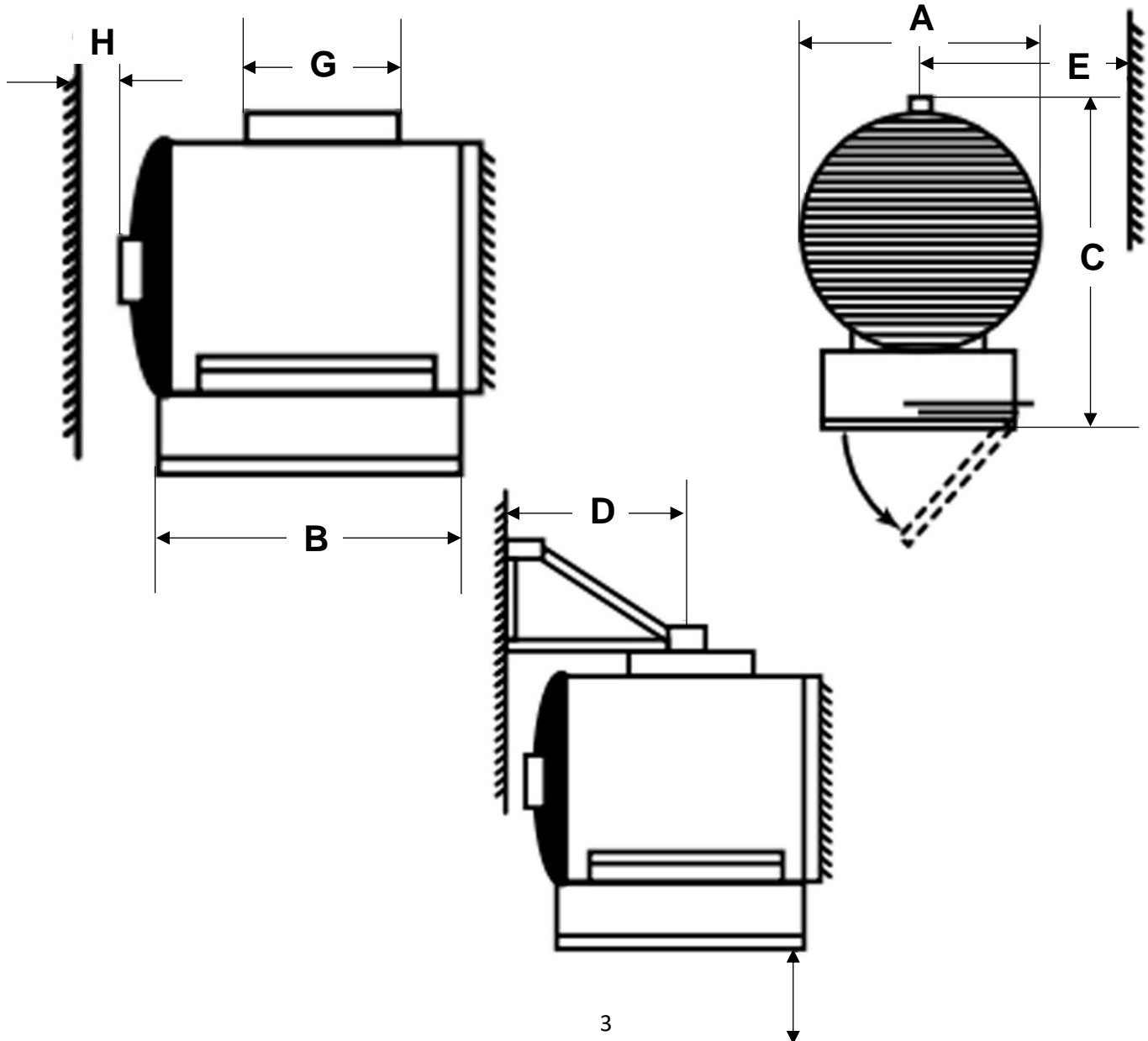
Item #	Watts	BTU's	Volts	PH	Amps	Temp Rise (°F)	Air Throw	CFM	Included Components		Weight and Dimensions With Packaging (CM)	
									Thermostat	MFG Model number	Lbs	W,H,D
USWFF-001	3.3	11200	208	1	15.9	26	20'	400	si	TW155A	58	14,22,19
USWFF-002	3.3	11200	208	3	9.2	26	20'	400	si	TW155A	58	14,22,19
USWFF-003	3.3	11200	240	1	13.7	26	20'	400	si	TW155A	58	14,22,19
USWFF-004	3.3	11200	240	3	7.9	26	20'	400	si	TW155A	58	14,22,19
USWFF-005	3.3	11200	277	1	11.9	26	20'	400	si	TW155A	58	14,22,19
USWFF-006	3.3	11200	480	3	4	26	20'	400	si	TW155A	58	14,22,19
USWFF-007	5	17100	208	3	13.9	40	20'	400	si	TW155A	58	14,22,19
USWFF-008	5	17100	240	1	20.8	40	20'	400	si	TW155A	58	14,22,19
USWFF-009	5	17100	240	3	12.1	40	20'	400	si	TW155A	58	14,22,19
USWFF-010	5	17100	277	1	18.1	40	20'	400	si	TW155A	58	14,22,19
USWFF-011	5	17100	480	3	6.1	40	20'	400	si	TW155A	58	14,22,19
USWFF-012	7.5	25600	208	3	20.8	60	20'	400	si	TW155A	58	14,22,19
USWFF-013	7.5	25600	240	3	13.1	60	20'	400	si	TW155A	58	14,22,19
USWFF-014	7.5	25600	480	3	9.1	60	20'	400	si	TW155A	58	14,22,19
USWFF-015	10	34130	240	3	21.1	45	28'	700	si	TW155A	64	16,24,21
USWFF-016	10	34130	480	3	12.1	45	28'	700	si	TW155A	64	16,24,21
USWFF-017	15	51200	480	3	18.1	68	28'	700	si	TW155A	64	16,24,21
USWFF-018	3.3	11200	208	1	15.9	26	20'	400	si	TW255A	58	14,22,19
USWFF-019	3.3	11200	208	3	9.2	26	20'	400	si	TW255A	58	14,22,19
USWFF-020	3.3	11200	240	1	13.7	26	20'	400	si	TW255A	58	14,22,19
USWFF-021	3.3	11200	240	3	7.9	26	20'	400	si	TW255A	58	14,22,19
USWFF-022	3.3	11200	277	1	11.9	26	20'	400	si	TW255A	58	14,22,19
USWFF-023	3.3	11200	480	3	4	26	20'	400	si	TW255A	58	14,22,19
USWFF-024	5	17100	208	3	13.9	40	20'	400	si	TW255A	58	14,22,19
USWFF-025	5	17100	240	1	20.8	40	20'	400	si	TW255A	58	14,22,19
USWFF-026	5	17100	240	3	12.1	40	20'	400	si	TW255A	58	14,22,19
USWFF-027	5	17100	277	1	18.1	40	20'	400	si	TW255A	58	14,22,19
USWFF-028	5	17100	480	3	6.1	40	20'	400	si	TW255A	58	14,22,19
USWFF-029	7.5	25600	208	3	20.8	60	20'	400	si	TW255A	58	14,22,19
USWFF-030	7.5	25600	240	3	13.1	60	20'	400	si	TW255A	58	14,22,19
USWFF-031	7.5	25600	480	3	9.1	60	20'	400	si	TW255A	58	14,22,19
USWFF-032	10	34130	240	3	21.1	45	28'	700	si	TW255A	64	16,24,21
USWFF-033	10	34130	480	3	12.1	45	28'	700	si	TW255A	64	16,24,21
USWFF-034	15	51200	480	3	18.1	68	28'	700	si	TW255A	64	16,24,21

MFG MODEL NUMBER	DESCRIPTION
TW155A	1 POLE, 40-110°F, 22Amp
TW255A	2 POLE, 40-110 °F, 22Amp



**Dimensions (in) 5500 Series Washdown Fan Forced Unit Heater**

Item #	A	B	C	D	E	F	G	H
USWFF-001 a USWFF-014	12	18	19.75	15.25	16.25	6ft	8	6
USWFF-015 a USWFF-017	14	19	21.75	15.25	18	6ft	8	6



**VentDepot.com**

Ecological HVAC Supply & Engineering  
1-888-514-1516, (626) 771-0048, F: (626) 771-0047  
sales@ventdepot.com www.VentDepot.com



TPI Corporation  
*America's Comfort Conditioning Company*

**5500 Series Washdown Fan  
Forced Unit Heater with  
thermostat**

**Data Sheet**

**F**

---

Hall of 5500 Series Washdown Fan Forced Unit Heater



**5500 Series Washdown Fan  
 Forced Unit Heater with  
 thermostat**



ID	Author	Description Error	Description Update	Supervisor Name
V1	Angelica Romero	New Data Sheet	New Data Sheet	Jessica Lorenzo